

# Saffire™ LX-D

## SMART Deadbolt Lock



### Features and Benefits

- Operates with a completely sealed, high performance contactless reader
- Battery life up to 2 years under normal operation
- Low battery indicator for preventative maintenance
- Ensures latching and prevents binding with mechanical operation to retract and throw deadbolt
- No touring to update access without having to visit the lock
- Access control for resident units and common areas
- Provides single system to control perimeter entries, amenity spaces and storage units

### Overview

Saffire LX-D Series features sophisticated RFID technology in a contemporary design. Easy-to-use, flexible and secure, multi-housing properties now have the option of issuing mobile credentials for added resident convenience. Saffire LX-D Series is a smart solution that combines high-performance with aesthetics that harmonize with progressive building technology and amenities.

### Convenient Mobile Access

The Saffire LX-D Series is equipped with Bluetooth Low Energy (BLE) technology,

which gives residents the added convenience of using a smart device, in addition to fobs, to access their residence, common areas and the perimeter. Our key delivery platform issues and authenticates mobile credentials through BlueSky, dormakaba's mobile access app.

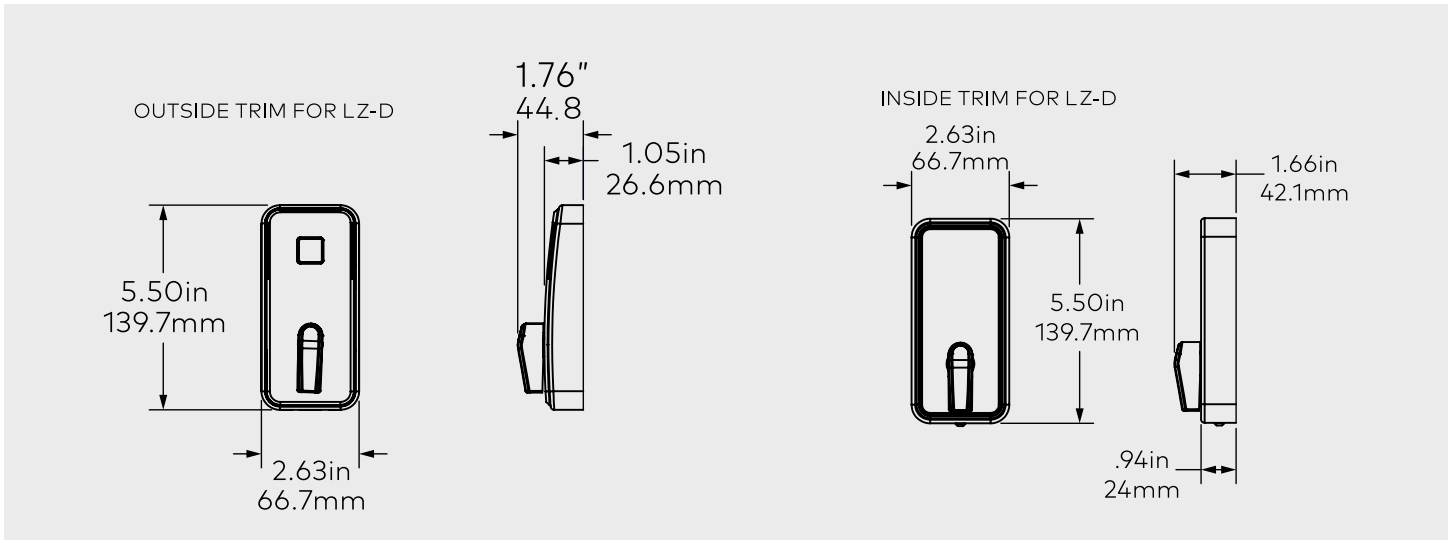
### Intuitive Access Management Software

The Saffire LX-D is managed by dormakaba Community™ access management software. Community provides intuitive access management of residences, amenities, common areas and perimeters from a single platform. Community offers the con-

venience of both RFID credentials and BLE mobile access keys for a seamless experience with no need for additional softwares.

### Security features

- BHMA Grade 2
- Non-volatile memory maintains lock programming and audit records
- Staff monitoring – RFID keycard audits
- Tamperproof design



**Mechanical Features**

Description	Electronic deadbolt lockset with clutch mechanism and built-in contactless RFID reader
Handing	Field reversible
Finishes**	Trim finishes: Satin chrome, oil-rubbed bronze, bright chrome, satin nickel and black Polycarbonate finishes: black, gray, white ** dormakaba utilizes PDV (physical vapor deposition) finishes in some instances
Door Thickness	From 1 3/8" to 2 1/8" (35mm to 54mm)
Locking Options	ANSI/BHMA Grade 2 with 1" deadbolt
Batteries	3 AA for up to 2 years. Low battery indicator for preventative maintenance
Concealed key override	Electronic battery backup
Online Configuration	Messenger Online available this fall: Lock controller board with Messenger capability

**Mobile Access**

BLE enabled. Ready to operate using dormakaba mobile access solutions.

**Lock Operation**

No Touring	New credentials automatically cancel prior credential when brought to lock
Electronic Key Levels	User defined, customizable key levels & key groups tailored for your community. Individual levels for residents, leasing, maintenance, services and vendors
Date/time stamp	Real time: date and hours/minutes; automatically adjusts for daylight savings time
Programming & audit trail downloading	Handheld unit incorporating Near Field Communication interface and FW/Security features
Lockout mode	Set by authorized key
Credentials accepted	- Mifare Ultralight C: Guest Keys - Mifare DESFire: Guest and Staff Keys (DESFire EV3 2k, DESFire EV2 4k, DESFire EV3 4k, DESFire EV3 8k) - Mifare Plus: Guest Keys (Mifare Plus 1K), Staff Keys (Mifare Plus S 1k, Mifare Plus S 2k, Mifare Plus S 4k) - Mifare Classic: Guest Keys (Mini), Staff (Classic 1k, Classic 4k)
Feedback LED	Light indicators
Diagnostics	Handheld display
Audit memory	Most recent 4,000 events

## Certifications & Testing

---

<b>Certification</b>	BHMA A156.25; BHMA 156.36; Florida Building Code HVHZ & non-HVHZ
<b>Accessibility Standard</b>	ADA (Americans with Disability Act) compliant levers and thumbturns (must be installed according ADA and local requirements)
<b>Fire Rating</b>	Meets UL 10C and ULC S-104, on fire door rated up to and including 3 hours
<b>Electronics</b>	Compliant with RE Directive 2014/53/EU for electromagnetic compatibility and FCC part 15 and RSS-247 Industry Canada requirements.
<b>Environmental Operating Conditions</b>	-31°F to +158°F (-35°C to +70°C), 0% to 90% non-condensing humidity at 86°F (30°C) Meets IP54

## Warranty

---

<b>Warranty</b>	Two years
-----------------	-----------

---

**Any questions? We would be happy to advise you.**

Contact us at: 1 800 849 8324